

# XKs UNLIMITED

Fuel Level Sender Installation Tips Applicable for SM TB9011 — SM TB9013 — SM TB9018

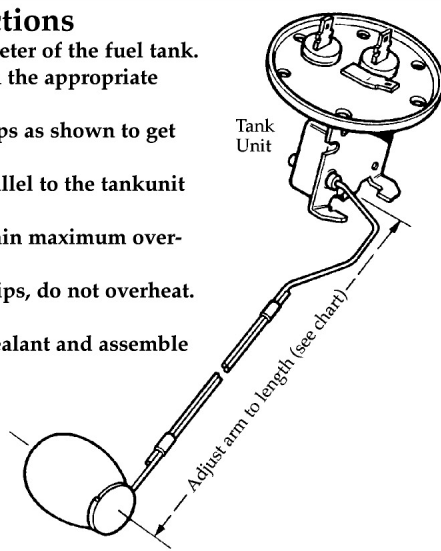
Read this sheet before beginning. This sheet is meant to cover a variety of applications. Measurements are metric.

**Disconnect battery. Prevent spark near the fuel supply.**

## General Fitting Instructions

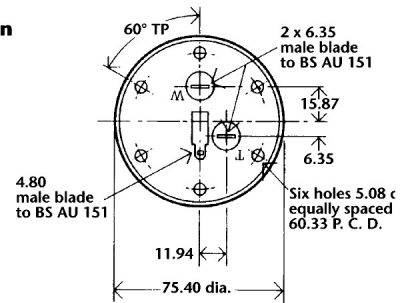
1. Measure internal depth or diameter of the fuel tank.
2. Select arm length required from the appropriate table below.
3. Assemble the wire arms and clips as shown to get the specified arm length.
4. Ensure that the float axis is parallel to the tank unit flange.
5. Trim excess wire from arm. Retain maximum overlap for more rigidity.
6. Solder at and around the two clips, do not overheat.
7. Fit the float to the arm.
8. Coat both side of gasket with sealant and assemble tank unit to tank.
9. Tighten firmly and evenly.

**NOTE:** Interpolation between max and min listed values only is permissible; using the nearest listed value to that measured.

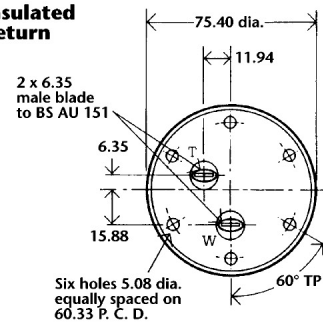


## Wiring Connections At Tank Unit

### Earth Return



### Insulated Return



## Arm Length Charts — To convert millimeters to inches use : mm x .03937 = in.

### Top Mounting Rectangular Tank

Tank Depth (mm)	Arm Length (mm)	
	'Bimetal'	'Euro'
610	542	494
584	517	471
559	492	449
533	466	425
508	442	403
483	417	380
457	391	357
432	367	334
406	341	311
381	316	288
356	292	266
330	266	243
305	241	220
279	216	197
254	191	174
229	165	152
203	141	128

### Top Mounting Cylindrical Tank

Tank Diameter (mm)	Arm Length (mm)	
	'Bimetal'	'Euro'
610	506	462
584	482	440
559	459	418
533	435	396
508	412	375
483	388	354
457	364	332
432	341	311
406	317	289
381	294	268
356	271	247
330	247	225
305	223	204
279	199	182
254	176	161
229	153	139
203	129	—

### Side/End Mounting Rectangular Tank

Tank Depth (mm)	Arm Length (mm)	
	'Bimetal'	'Euro'
610	338	310
584	325	298
559	312	286
533	299	275
508	287	263
483	274	252
457	261	240
432	249	228
406	236	216
381	223	205
356	—	193
330	—	181
305	—	170
279	—	158

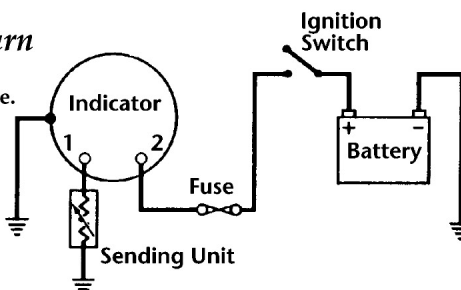
### Side/End Mounting Cylindrical Tank

Tank Diameter (mm)	Arm Length (mm)	
	'Bimetal'	'Euro'
610	283	260
584	272	250
559	262	240
533	251	230
508	241	221
483	231	212
457	220	202
432	210	193
406	199	183
381	189	173
356	179	164
330	168	154
305	158	145
279	147	135
254	137	126
229	126	—

## Wiring Diagrams

### Grounded Return

1. Transmitter
  2. Battery positive + ve.
- Case grounded, negative ground battery.



### Insulated Return

1. Transmitter
2. Battery Positive
3. Battery Negative

