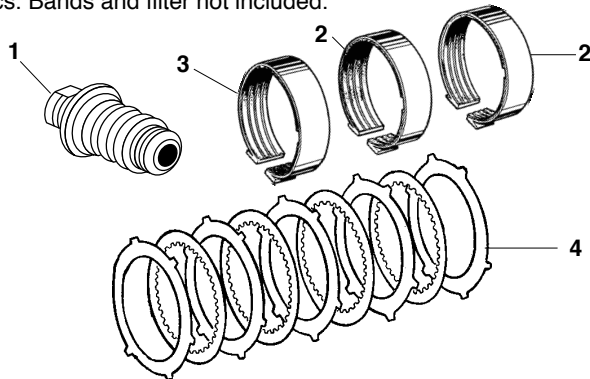


Type/Car	Applicable Years	Overhaul Kit ⁴	Seal-Up Kit ²	Filter Kit	Pan Gasket	Front Seal	Rear Seal
DG250	1950 - '67	12-0100 ¹	12-0100S	12-0402	JA-3736	JA-3623	JA-3762
BW8	1968 - '72	12-0101 ⁴	12-0101S	12-0200	12-0200-1	JA-10598	JA-10593
BW12	1972 - '78	12-0102 ⁴	12-0102S	12-0202	12-0200-1	JA-12553	JA-12549
BW35	1966 - '75	12-0103 ⁴	12-0103S	12-0205	JA-RTC1871	JA-10427	JA-RTC447
BW-65/66	1974 - '87	N/A ⁴	12-0107S	12-0400	JA-AAU8434	JA-BAU1034J	JA-RTC447
TH-400	1978 - on	12-0105 ⁴	12-0105S	12-0405	JA-AEU1050	JA-AEU1065	JA-AEU1236
ZF 3.6	1988 and 1989	12-0108	12-0108S	12-0408	JA-JLM12343	JA-JLM10856	JA-JLM10723
ZF 4.0	1990-1997	12-0109	12-0109S	12-0409	JA-JLM12343	JA-JLM10856	JA-JLM10723
XJ-S 4.0	1993-1996	12-0109	12-0109S	12-0410	JA-JLM12343	JA-JLM10856	JA-JLM10723
GM 4-Speed	1993-on	N/A	JA-JLM11942	12-7721	JA-JLM10975	JA-JLM10974	JA-JLM10961
XK-8/XJ-8	1998-on	N/A	JA-JLM20480	12-0411	JA-JLM20204	JA-JLM10856	JA-JLM20211
XK-R/XJR V-8	1998-on	N/A	JA-JLM20480	12-0412	JA-JLM20204	JA-JLM10856	JA-JLM20211
S-Type to L31320	2000-on	N/A	N/A	12-0413	JA-XR8-5505	JA-XR8-5514	JA-XR8-5804
S-Type, Later	2000-on	N/A	N/A	12-0414	JA-XR8-14422	JA-XR8-5514	JA-XR8-5804

Transmission Notes:

1. DG250 overhaul kit contains gaskets, lip seals, O-rings, sealing rings, friction discs and friction disc plates, intermediate speed hold bellows, front pump seals and extension housing seal. It does not contain a filter, bands or bushings.
2. Seal-up kits provide gaskets and seals for the outer transmission casing only. They do not contain internal seals or gaskets.
3. Includes filter and pan gasket.
4. Overhaul kits include necessary gaskets, seals and friction discs. Bands and filter not included.



DG250 Transmission Components

1. Intermediate Speed-Hold Bellows _____ **C23772**
Re-Lined Bands: Sold per each, not included in overhaul kit. A refundable core charge is applied.
2. Low and forward (rear two bands) _____ **JA-3738/R**
3. Reverse (forward most) _____ **JA-6869/RB**
4. **Friction Disc and Plate Kit.** Includes 5 friction plates (Jag 6683) & 4 discs (6676). Included in o/h kit. **12-0100C**
5. Front Bushing, at pump _____ **12-62626**

Auto Transmission Application Guide

DG250 Three-Band: XK-140; XK-150; MKVII, VII, and IX; MK I; MKII 3.4 up to VIN 181428; MKII 3.8 up to VIN 224737; 3.4S to 1B.26240; 3.8S to 1B.80287.

Borg-Warner 8 (cast iron): E-Type series I & II; 420; 420G; 4.2 MK X; XJ-6 Series I to engine 7L.8163.

Borg-Warner 12 (cast iron): V-12 E-Type; XJ-6 Series I from engine 7L.8164; XJ-12 Series I; XJ-12 Series II to engine 7P.32897; 1977 XJ-S to engine 8S.7016.

Borg-Warner 35: 3.4 MK II from VIN 181429; 3.8 MK II from VIN 224738; 340; 3.4S from 1B.26421; 3.8S from 1B.80288.

Borg-Warner 65 and 66 (alloy): XJ-6 Series II and III.

G.M. Turbo 400 (alloy): XJ-12 Series II from 7P.32898; 1977 XJ-S from engine 8S.7016-on.

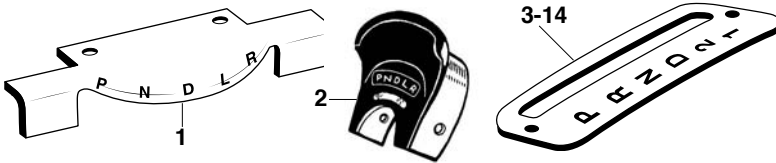
ZF 3.6: XJ-6 1988 & 1989.

ZF 4.0: XJ-6 1990-1997

GM 4-Speed: Six Liter XJ-S, Six Liter XJ-12, XJR Six Cylinder.

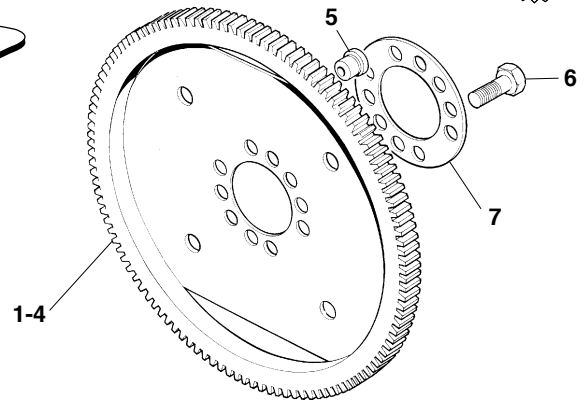
Auto Transmission Control Cables

Model	Kick-Down	Shift Control
E-Type Series I & II	C26756-3	C25756
E-Type Series III	N/A	C32382
XJ-6 S. I, XJ-12 & XJ-S		
With BW12 Transmission	N/A	C28441
XJ-6 Series II & III	C44238	JA-CBC5224
XJ-12, XJ-S W/ TH400	N/A	JA-CBC5224
XJ-40 3.6 Liter	N/A	JA-MNA4830CA
XJ-40 4.0 Liter	N/A	JA-CBC5694



Automatic Shift Identification Plates

1. XK-150 and MK I _____ **C13580**
2. MK VIII and MK IX _____ **C12461**
3. E-Type Series I and II (NLS) _____ **BD28667**
4. E-Type Series III _____ **BD38409**
5. XJ-6 Series I with BW 8 Transmission _____ **BD31066**
6. XJ-6 Series I with BW 35 or BW 12 Trans. ____ **BD34963**
7. XJ-6 Series II & III to '82.5 (335118) no cruise _ **BD34963**
8. XJ-6 Series III w/ cruise control, to 1982.5 to VIN 335098 _____ **JA-CAC2862**
9. XJ-6 Series III w/o cruise, 1982.5-on, VIN 335119-on _____ **JA-CAC5490**
10. XJ-6 Series III, with cruise, 1982.5-on ____ **JA-CAC4770**
11. XJ-12, XJ-S with BW 12 and no cruise _____ **BD34963**
12. XJ-12, XJ-S with TH 400 and no cruise ____ **JA-CAC5491**
13. XJ-12, XJ-S with cruise, to VIN 105956 ____ **JA-CAC2860**
14. XJ-12, XJ-S with cruise, VIN 105956-on ____ **JA-CAC4768**
15. Brushes for Sides of Shift Lever _____ **JA-CAC2864**

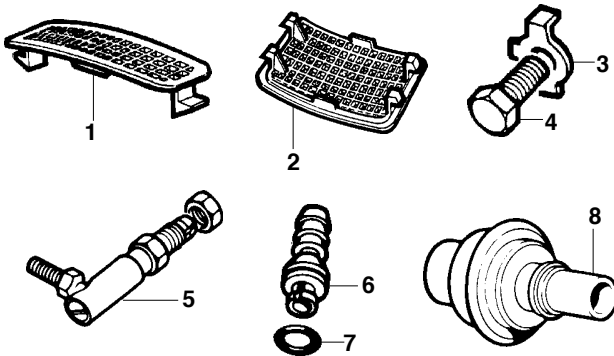


Flexplates and Components

Flexplate:

1. 420, 420G, MK 10, E-Type Ser. I & II ____ **JA-EAC9082§**
2. E-Type Series III, to engine 7S.7000 (NLS) ____ **C29515**
3. E-Type Series III, engine 7S.7001-on (NLS) ____ **C37106**
1. XJ-6 _____ **JA-EAC9082§**
3. XJ-12 Series I & II, to engine 7P.32897 (NLS) ____ **C37106**
4. XJ-12 Series II, from engine 7P.32898 ____ **JA-EAC6389**
3. XJ-S, B-W Trans., to eng. 8S.7018 (NLS) ____ **C37106**
4. XJ-S, TH400 Trans, eng. 8S.7019-on ____ **JA-EAC6389**
5. Flexplate Dowel, all models, 2 required _____ **C6862**
6. Flexplate Screw, all models, 10 required _____ **C6839**
7. Stiffener Plate, all models _____ **C6861**

§ Currently JA-EAC9082 is no longer supplied. Earlier part numbers supercede to this number. When using JA-EAC9082 on cars up to Series III XJ-6 with engine 8L.109586, items 5, 6, and 7 are required. They are not required for XJ-6 Series III beyond engine 8L.109586, which came from the factory with the updated flex plate.

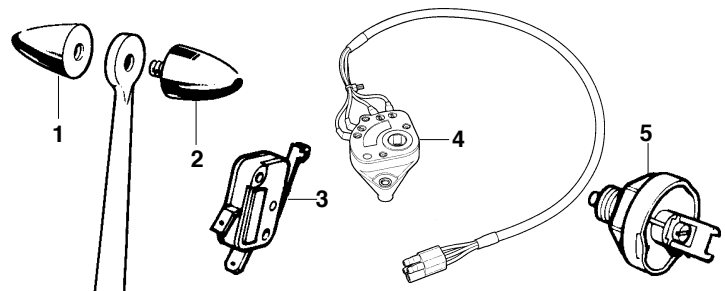


Misc. Transmission Components

1. Gearbox Vent Screen, Upper, BW 65/66 **JA-NJA4465AA**
2. Gearbox Vent Screen, Lower, BW 65/66 _____ **C39247**
3. Torque Converter Lock Tab, BW 8, 12, 65/66 ____ **C34083**
4. Bolt, for above _____ **C16682**
5. Cable End at Transmission, BW 8, 12, 65/66 ____ **C25152**
6. Gearbox Breather _____ **JA-RTC1883**
7. O-Ring for Breather _____ **JA-RTC26**
8. Modulator, TH 400 _____ **JA-EAC1726**

Not Shown:

9. Transmission Dipstick Seal, BW 65/66 ____ **JA-EAC2978**
10. Speedometer Drive Seal, BW 8, 12, 35, 65/66 **C32592-J**
11. Speedometer Drive O-Ring, BW 8, 12, 35, 65/66 **C21058**
12. Kick-down switch, later XJ-6 Series I _____ **LU-SMB420**



Automatic Shifter Components

1. Knob, Female Thread _____ **C31228**
2. Knob, Male thread _____ **C31232**
3. Neutral-Safety/Kick-Down Switch, all V-12, XJ-6 1972 to 1982 (VIN 335136) _____ **C33509**
4. Neutral-Safety and Reverse Switch, XJ-6 1982-on (VIN 335137), on Transmission _____ **JA-DAC4155**
5. Reverse Light Switch, all except XJ-6 Series III beyond VIN 335136 _____ **LU-SMB499**

Bulbs for Illumination for Shift I.D. Plate:

6. One-Quarter Turn Type _____ **LU-LLB281**
7. Screw-in Type _____ **LU-LLB987**