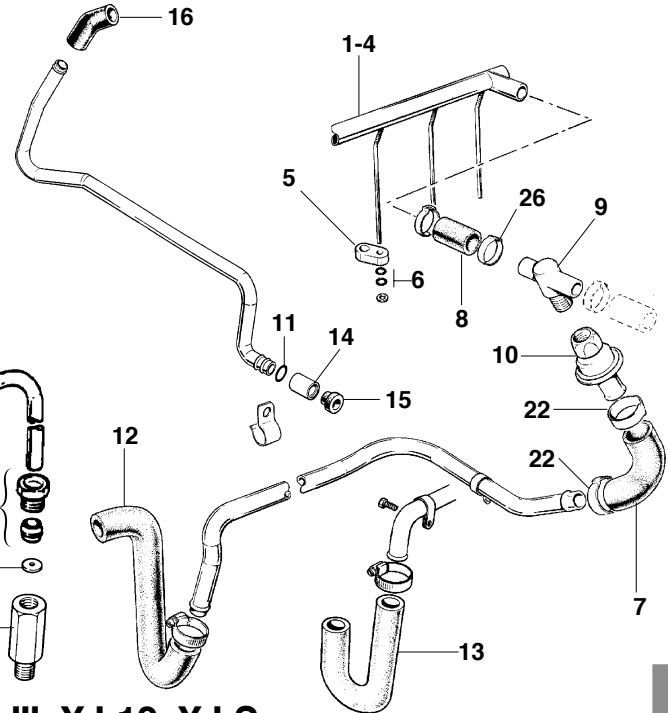
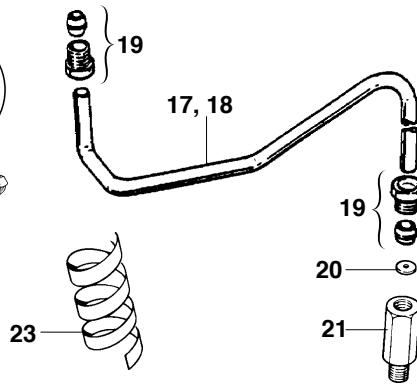
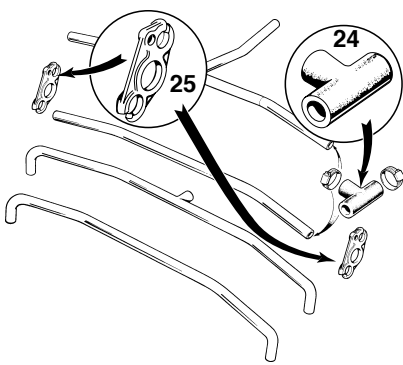


Air Pumps

1. V-12 E-Type, to engine 7S.9033 _____ **C32865R**
V-12 E-Type, engine 7S.9034-on; XJ-6 Series I & II; XJ
2. 12 Series I & II; XJ-S, 1976 - 1981 (SAE Fittings) **C40103**
- Note: All pumps originally under C35580 supersede to C40103.*
3. XJ-6 Series III to Engine 8L.222900; XJ-S H.E.; Does not have electric clutch, has "METRIC" cast into end plate. _____ **JA-EAC3645**
4. XJ-6 Series III from Engine 8L.222901 _____ **JA-EAC8839**
5. XJ-40 and XJ-S Air Pumps with Electric Clutch (Supplied with Clutch): _____
6. Rectangular Connector Plug _____ **01-0308**
7. Round Connector Plug Style _____ **01-0307**
8. Triangular Connector Plug _____ **01-0327**
9. XJ-S 4.0 Clutch only _____ **JA-EBC3894**
10. XJ-S 6.0, Clutch only, to 194774 _____ **JA-NHC4715AA**
11. XJ-S 6.0, Clutch only, 194775-on _____ **JA-NHC4715BA**

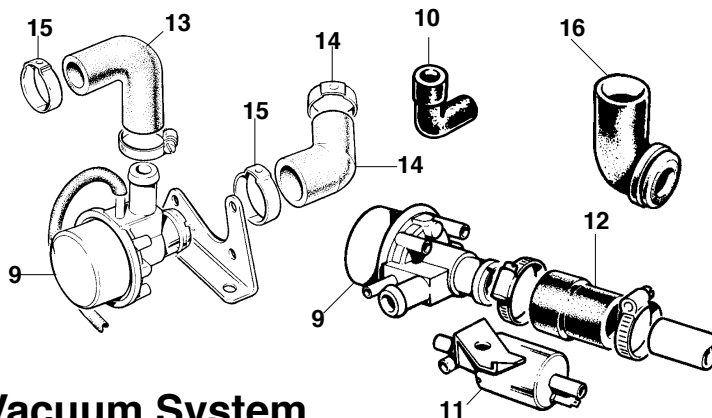
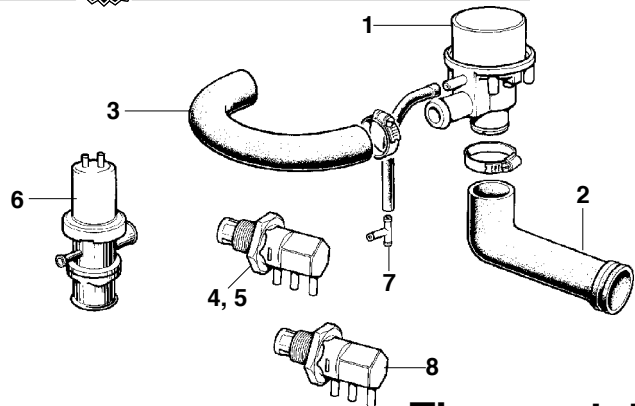
Emission Control: XJ-6 Series I, II & III

1. Air Rail _____ **C36930**
2. Formed Hose _____ **C37156**
3. Check Valve _____ **C34017**
4. Hose _____ **JA-EBC1488**
5. O-ring, pipe to air pump, Series I, Series II up to engine 8L14790 _____ **C21058**
6. Hose, from pipe to air switching valve Series II from engine 8L14791, all Series III _____ **C44359**
7. Fittings, 6 Required _____ **C37218**
8. Fitting _____ **C37410**



Emissions: E-Type Ser. III, XJ-12, XJ-S

1. RH Air Rail, Carbureted V-12 (NLS) _____ **C35775**
2. LH Air Rail, Carbureted V-12 (NLS) _____ **C35774**
3. RH Air Rail, Fuel Injected V-12 _____ **C39930**
4. LH Air Rail, Fuel Injected V-12 _____ **C39929**
5. Dog, 12 Required _____ **C35770**
6. O-Ring, 24 Required _____ **C35779**
7. Formed Hose, Pipe to Check Valve _____ **C35099**
8. Hose, Air Rails to "T" Junction, 2 req. _____ **JA-EBC1488**
9. "T" Junction _____ **JA-EAC3714**
10. Check Valve _____ **C34017**
11. O-Ring to Air Pump, XJ-12 & XJ-S Only _____ **C21058**
12. Hose, Pump to Pipe, E-Type to eng. 7S.9033 _____ **01-0214**
13. Hose, Pump to Pipe, E-Type, eng. 7S.9034-on _____ **C35632**
14. Pipe, fuel injected XJ-12, XJ-S _____ **C44543**
15. Grommet, fuel injected XJ-12, XJ-S _____ **C37990**
16. Formed Hose, Check Valve to Pipe _____ **C35099**
17. Carburetor pre-heat pipes, V-12 E-Types, stainless, Right Side _____ **C39105**
18. Carburetor pre-heat pipes, V-12 E-Types, stainless, Left Side _____ **C39106**
19. Fitting Kit (8 adaptors and 8 olives) _____ **C34706**
20. Spacer, two required _____ **C39666**
21. Fitting, 2 required _____ **C39107**
22. Squeeze Clamp Kit, V-12 E-Type, 30 pieces _____ **09-8010**
23. Spiral Binding, each _____ **C37668**
24. "T" Hose, Air Balance Pipes _____ **C34855**
25. Clamp, Air Balance Pipes _____ **C35077**



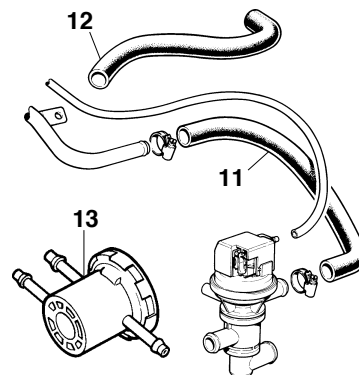
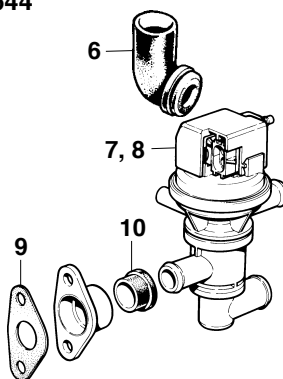
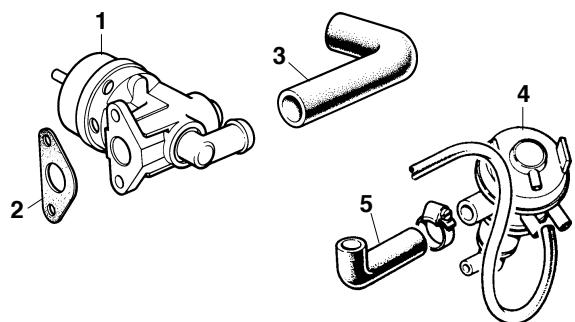
Thermostatic Vacuum System

Carbureted XJ-6 Series I & II

1. Gulp Valve, Rebuilt _____ **C34018/RB**
2. Hose, Air Cleaner _____ **C36756**
3. Formed Hose (NLS) _____ **C36747**
4. Thermostatic Vacuum Switch, To engine
8L.14790 _____ **JA-3029763**
5. Thermostatic Vacuum Switch, From engine
8L.14791-on _____ **C37430**
6. Anti Run-On Valve:
Engines 7L.60434 to 8L.22290 only (NLS) ___ **LU-76568**
7. "T" Junction for Vacuum Lines _____ **C15644**

E-Type Series III V-12, XJ-12 Series I & II

8. Thermostatic Vacuum Switch _____ **C37430**
9. Gulp Valve, Rebuilt _____ **C34018/RB**
10. Elbow Hose, To Carburetor _____ **JA-EAC7965**
11. Solenoid Valve, engine 7S4664-on (NLS) _____ **C37441**
12. Formed Hose on Gulp Valve, later cars (NLS) ___ **C36920**
13. Hose on Gulp Valve, early (NLS) _____ **C34619**
14. Hose on Gulp Valve, early _____ **C35101**
15. Squeeze Clamp Kit, 30 pieces _____ **09-8010**
16. Hose, to air cleaner box _____ **JA-DAC3843**



Diverter and Switching Valves

XJ-6 Series II, XJ-12 Series I & II, Pre-H.E. XJ-S

1. Diverter Valve _____ **C44060**
2. Gasket for C44060 valve _____ **C35628**
3. Elbow Hose for C44060 valve _____ **C44359**

XJ-S H.E.

4. Switching Valve, XJ-S H.E. _____ **JA-EAC3827**
5. Hose, XJ-S H.E. _____ **JA-EAC3954-1**
6. Hose, XJ-S H.E., to air cleaner box _____ **JA-DAC3843**

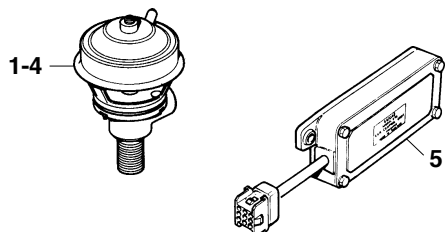
XJ-6 Series III

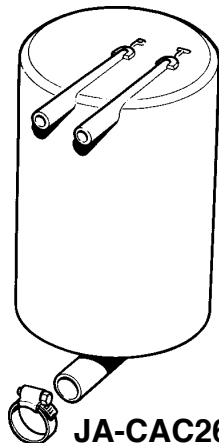
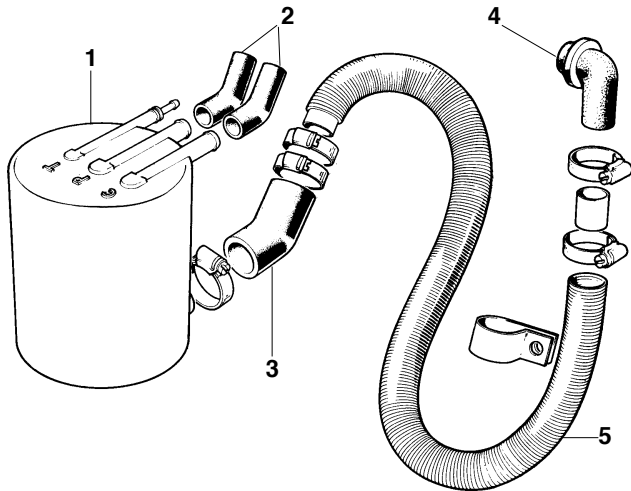
7. Diverter Valve (or "air switching valve"):
(Updated unit; requires JA-DAC4807 harness) **JA-EAC9711**
8. Electrical Harness for EAC9711 _____ **JA-DAC4807**
9. Gasket for JA-EAC9711 valve _____ **JA-EAC3757**
10. Grommet _____ **C37990**
11. Hose, valve to pipe _____ **JA-EAC3954-2**
12. Hose, pipe to air cleaner assembly _____ **JA-EAC3954-1**
13. Distributor Vacuum regulator _____ **JA-EAC4399**

E.G.R. Components

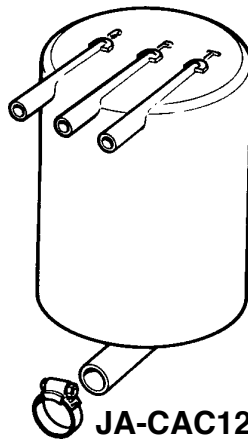
E. G. R. Valves:

1. XJ-12, '75-on; XJ-S 1976-'79 (49-state) _____ **LU-73166**
2. XJ-12, 1975, XJ-S 1976 (Calif.) _____ **LU-73157**
3. XJ-6 Series II to 8L.40080. _____ **C41866/RB**
4. XJ-6 S. II, Calif., 8L.40080-on. (NLS) _____ **JA-EAC1618**
5. E.G.R. Controller, XJ-12, XJ-S 1976-1979 _____ **C44708**

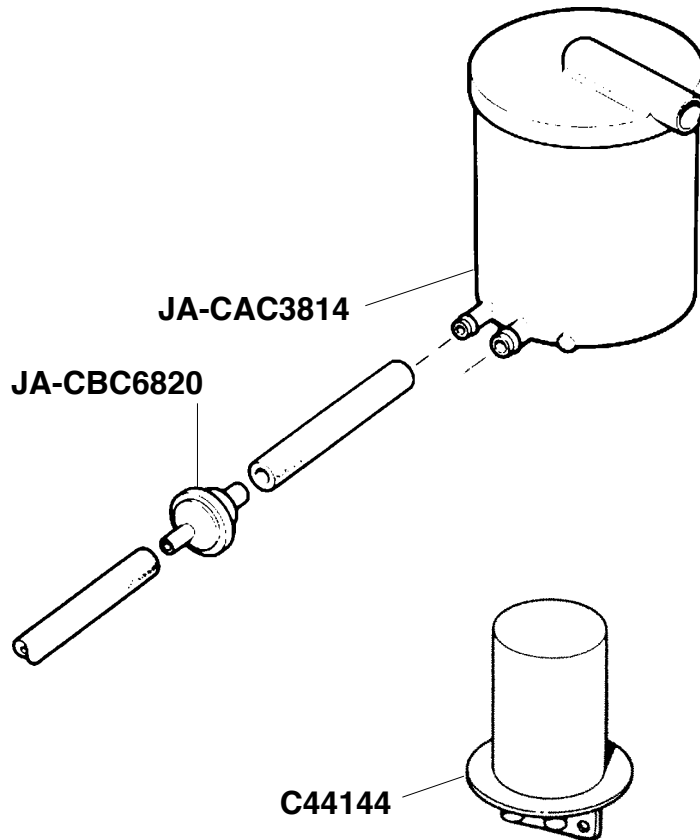




JA-CAC2664



JA-CAC1259



JA-CAC3814

JA-CBC6820

C44144

Carbon Canisters

E-Type Series III

2+2 from engine 1S73856; Roadster from engine 1S21029

1. Carbon Canister (NLS) _____ **C39237**
2. Formed Hose, 2 required (NLS) _____ **C32910**
3. Hose, canister to flex hose _____ **C35101**
4. Hose to Air Cleaner _____ **JA-DAC3843**
5. Flex Hose, per foot _____ **01-0214**

XJ-6 Series I - To engine 7L60433:

Carbon Canister (NLS) _____ **C32827**

XJ-6 Series I - From engine 7L60434-on

XJ-6 Series II - To engine 2T54778

Carbon Canister _____ **JA-CAC1259**

XJ-6 Series II - From engine 2T54779 to 2T69450

Carbon Canister _____ **JA-CAC1259**

XJ-6 Series II - From engine 2T69451

Carbon Canister, 2 Connector Type (NLS) **JA-CAC2664**

XJ-6 Series III - To VIN 310612

Carbon Canister _____ **JA-CAC266**

XJ-6 Series III - From VIN 310613-on

Carbon Canister _____ **JA-CAC3814**

Pressure Valve _____ **JA-CAC3101**

XJ-12 Series I and Series II - To engine 2R53902

Carbon Canister _____ **JA-CAC1259**

XJ-12 Series II - From engine 2R53903 to 2R58420

Carbon Canister _____ **JA-CAC1259**

XJ-S - To engine 2W56472

Carbon Canister _____ **JA-CAC1259**

XJ-S - From engine 2W54673-on

XJ-12 - From engine 2R58428-on

Carbon Canister _____ **JA-CAC2664**

Pressure Valve _____ **JA-CAC3101**

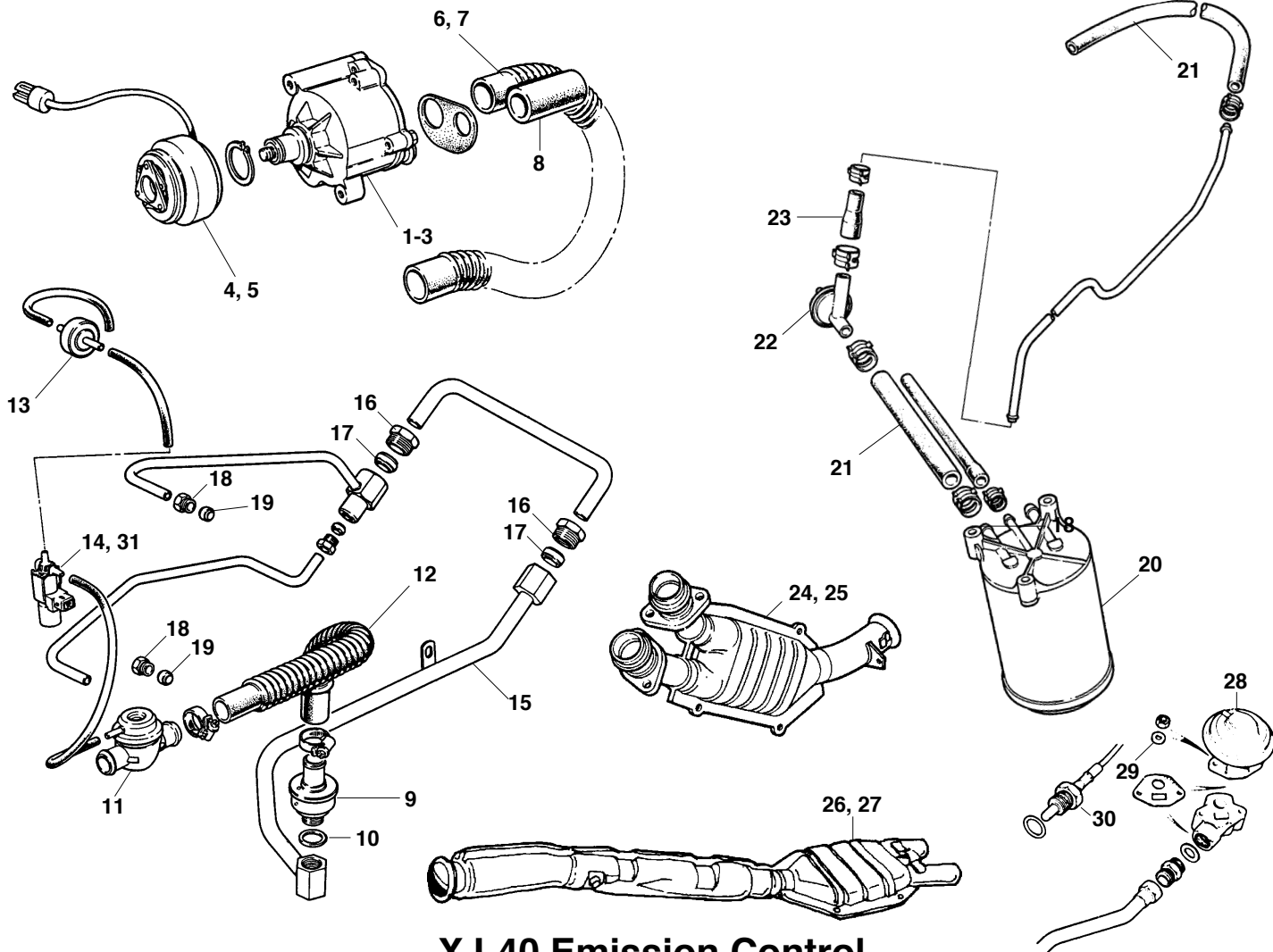
XJ-S - 1982-on

Carbon Canister _____ **JA-CAC3814**

Pressure Valve _____ **JA-CAC3101**

XJ-S - 1977 1/2 - on - From 2W54673 - On

Vapor Separator _____ **C44144**



XJ-40 Emission Control

Air Pump, 3.6 and 4.0 Liter

Rebuilt Air Pumps Supplied with Clutch:

1. Air Pump, Rectangular Connector Plug _____ **01-0308**
2. Air Pump, Round Connector Plug _____ **01-0307**
3. Air Pump, Triangular Connector Plug _____ **01-0327**
4. Clutch, up to VIN 629285 _____ **JA-EAC8811**
5. Clutch, VIN 629286-on _____ **JA-EBC3894**
6. Hose, Pump to Air Cleaner, 3.6-Liter (NLS) **JA-EAC7417**
7. Hose, Pump to Air Cleaner, 4.0-Liter _____ **JA-EBC3109**
8. Hose, Pump to Switch Valve, 3.6 and 4.0 _____ **JA-EAC5911**

Air Injection Pipes, 3.6 and 4.0 Liter

9. Check Valve _____ **JA-EAC5042**
10. Seal for Valve _____ **C45759-3**
11. Air Switching Valve _____ **JA-EAC5040**
12. Air Hose _____ **JA-EAC5896**
13. Delay Valve _____ **JA-EAC2206**
14. Solenoid Valve _____ **JA-EAC7905**
15. Pipe _____ **JA-EAC6191**
16. Nut _____ **JA-EAC5940**
17. Spacer _____ **JA-EAC5939**

18. Nut _____ **JA-EAC4927**

19. Spacer _____ **JA-AGU2527/J**

Carbon Canister, 3.6 and 4.0 Liter

20. Carbon Canister _____ **JA-CAC6739**
21. Hose, Underfloor pipe to Canister (per foot) _____ **03-0085**
21. Hose, Canister to Purge Valve (per foot) _____ **03-0085**
22. Purge Valve _____ **JA-CAC6874**
23. Hose, Purge Valve to Purge Pipe _____ **JA-CAC7843**
21. Hose, Purge Pipe to Plenum (per foot) _____ **03-0085**

Catalytic Converters

24. Front Catalyst, 3.6 liter, aftermarket _____ **JA-CBC8104***
25. Front Catalyst, 4.0 liter, aftermarket _____ **JA-CBC8767***
26. Rear Catalyst, 3.6 liter, aftermarket _____ **JA-CBC8113***
27. Rear Catalyst, 4.0 liter, aftermarket _____ **JA-CBC8766***

EGR Valve, 4.0 Liter

28. EGR Valve, 4.0 _____ **JA-EBC2737**
29. Washers for EGR Valve _____ **JA-EBC5185**
30. EGR Sensor, 4.0 _____ **JA-DBC5034**
31. Vacuum Solenoid Valve _____ **JA-EAC7905**